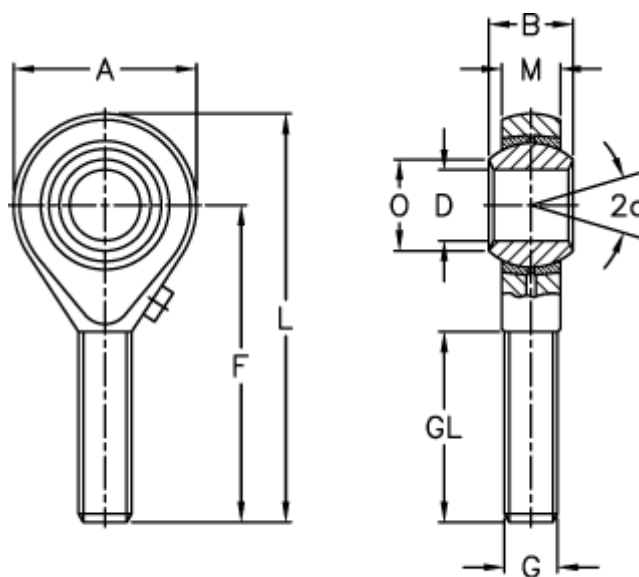


Article number: 03062016

Description: Fluro Rod End GA 16-SN  
Special lubricating nipple

## Measures



Str. 5 uden smørenippel

|                     |       |                     |        |
|---------------------|-------|---------------------|--------|
| A                   | = 42  | L                   | = 87   |
| a (degrees)         | = 15  | M                   | = 15   |
| B                   | = 21  | O                   | = 19.3 |
| D                   | = 16  | Permissible rpm     | = 350  |
| Dynamic load C (kN) | = 16  | Static load C0 (kN) | = 36.5 |
| F                   | = 66  | Weight (g)          | = 189  |
| g                   | = M16 |                     |        |
| GL                  | = 40  |                     |        |